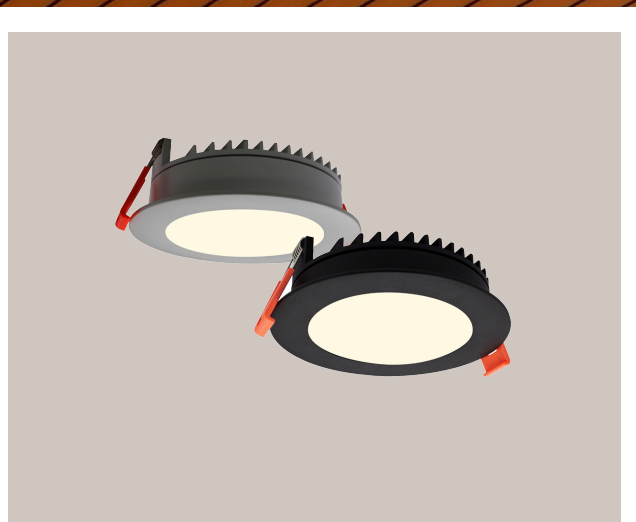


AC100 SERIES

DATA SPECIFICATION SHEET



CATEGORY: HARDSCAPE

COLORS:  

PRODUCT OVERVIEW

Color Changing Recessed Ceiling / Soffit Light

Our professional grade AC100 LED low voltage recessed structure lights are a solid fixture used to highlight structure spaces, porches, and themed areas. Our recessed ceiling lights are available in black and white. These are a great addition to light up your outdoor space with easy integration into your outdoor structure ceiling. These recessed ceiling / soffit are color changing capable with the Tru-Scapes App.



Check Out All Available Sizes!
Scan to Visit Our Website!

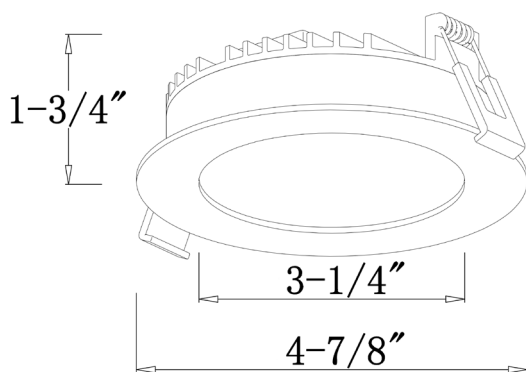
SPECIFICATIONS

- Construction: Powder coated aluminum with a black or white finish
- Finish: Acrylic case – Protects fixture from wear, corrosion, and weather elements.
- 2700-6500 Kelvin temperature RGBCW
- Lead Wire: 6" (Standard) 18AWG, SPT-1W Black Waterproof Wire
- Light Source: Integrated LED's, 2700-6500K, 120° Beam Angle
- Lumens: 280L
- Power Factor: 0.787
- Recommended Lamp Rating: 8W
- Operating Voltage: 9V - 15V AC/DC
- Powered By: Low Voltage Transformer (Sold Separately)
- IP68 Rated

FEATURES & BENEFITS

- Lead Wire: 36" (Standard) 18AWG, SPT-1W black waterproof wire
- Powder coated aluminum – Protects fixture from wear, corrosion, and weather
- Integrated RGBCW LEDs w/ color changing
- Power Supply: 12V Low Voltage Transformer
- Torsion spring to push and lock into place
- Under 2" in height
- Low energy consumption - Low Voltage LED Design.
- Comes with (2) Silicone Filled Wire Connectors - Rated for outdoor use.

PRODUCT DIMENSIONS



WARRANTY

- Tru-Scapes Lighting Sockets have a Lifetime Warranty.
- Light fixtures of brass, copper or stainless steel, aluminum, including finishes are warranted for five (5) years.
- LED lamps are warranted for five (5) years or 30,000 hours, whichever comes first.
- Stainless Steel, Painted and Weatherproof (plastic housing) transformers, excluding timers and photo cells, are warranted for five (5) years for the original purchaser.
- Tru-Scapes warranties do not cover plants that die or burn because of continuous light shined on them. This is not a defect, but the inherent nature of such plants. Certain acid loving plants such as arborvitae, pine trees, and others must not be exposed to light of any kind for more than 18 hours a day as these plants need time to sleep and allow photosynthesis to naturally occur.
- Low voltage landscape lighting fixture housings made of brass do naturally patina in color which is not a defect. (Please see www.Tru-Scapes.com for cleaning instructions.)
- See our full Warranty details at www.Tru-Scapes.com/faq.

CERTIFICATIONS



Indicates the product meets safety standards tested by Intertek.



Ensures the product is dust-tight and highly water-resistant.

CONTACT US

© Copyright 2026,
Tru-Scapes ® Registered Trademark •
Bucks County, PA • All Rights Reserved •
contacts@tru-scapes.com
1-800-878-1240

WWW.TRU-SCAPES.COM