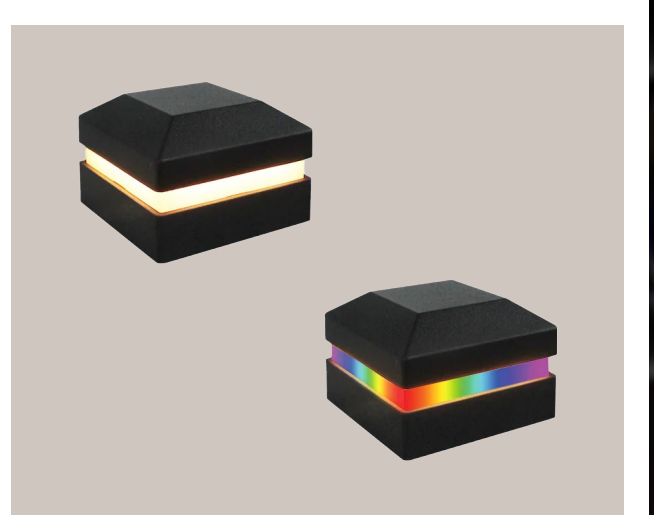


TS-C125-SERIES

DATA SPECIFICATION SHEET



CATEGORY: DECK

COLORS: ●

PRODUCT OVERVIEW

2.5" Color Changing LED Deck & Fence Post Cap Light - TS-C125 Series

Designed for 2.5" x 2.5" aluminum fence or deck posts, these professional-grade lights feature aluminum construction, integrated LEDs, and a 3W power draw. Operating on 9v to 15v AC/DC, they are available in 2700K and are perfect for enhancing outdoor spaces.

- TS-C125: 2700K warm white
- TS-C125C: RGBCW color-changing



Check Out All Our Cap Lights!
Scan to Visit Our Website!

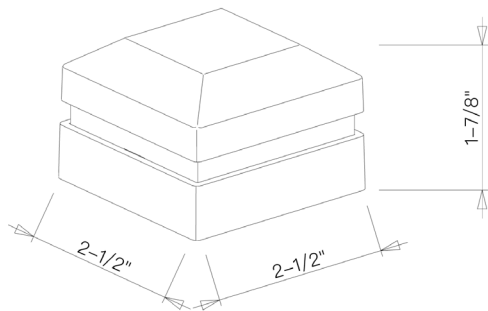
SPECIFICATIONS

- Construction: Aluminum
- Finish: Black
- Light Source: Integrated LEDs
- Watts: 3W
- Beam Angle: 360
- Power Factor: .732
- Lumens: 22LM
- Color Temp (CCT):
 - - TS-C125: 2700K
 - - TS-C125C: RGBCW (2700K - 6500K)
- Voltage Range: 9v - 15v AC/DC
- Powered By: 12V Low Voltage Transformer (Sold Separately)
- IP65 Rated

FEATURES & BENEFITS

- Perfect Fit: Specifically designed to fit 2.5" x 2.5" posts, ensuring a snug and secure fit for a clean look.
- Durability: The aluminum construction ensures that the light can withstand the elements, offering minimal maintenance.
- C125C: Color-Changing LED Lighting: Offers customizable color settings to match your outdoor ambiance.
- C125C: Remote-Control Operation: Easily change colors, brightness, and lighting effects with our remote control app.
- Low energy consumption - Low Voltage LED Design.
- Easy Installation: Comes with a simple plug-and-play wiring system for hassle-free setup.

PRODUCT DIMENSIONS



WARRANTY

- Tru-Scapes Lighting Sockets have a Lifetime Warranty.
- Light fixtures of brass, copper or stainless steel, aluminum, including finishes are warranted for five (5) years.
- LED Bulbs are warranted for five (5) years or 30,000 hours, whichever comes first.
- Stainless Steel, Painted and Weatherproof (plastic housing) transformers, excluding timers and photo cells, are warranted for five (5) years for the original purchaser.
- Tru-Scapes warranties do not cover plants that die or burn because of continuous light shined on them. This is not a defect, but the inherent nature of such plants. Certain acid loving plants such as arborvitae, pine trees, and others must not be exposed to light of any kind for more than 18 hours a day as these plants need time to sleep and allow photosynthesis to naturally occur.
- Low voltage landscape lighting fixture housings made of brass do naturally patina in color which is not a defect. (Please see www.Tru-Scapes.com for cleaning instructions.)
- See our full Warranty details at www.Tru-Scapes.com/faq.

CERTIFICATIONS



Indicates the product meets safety standards tested by Intertek.



Signifies the product has passed safety tests by Underwriters Laboratories.



Ensures the product is dust-tight and highly water-resistant.

CONTACT US

© Copyright 2024,
Tru-Scapes® Registered Trademark•
Bucks County, PA • All Rights Reserved•
contacts@tru-scapes.com
1-800-878-1240

WWW.TRU-SCAPES.COM