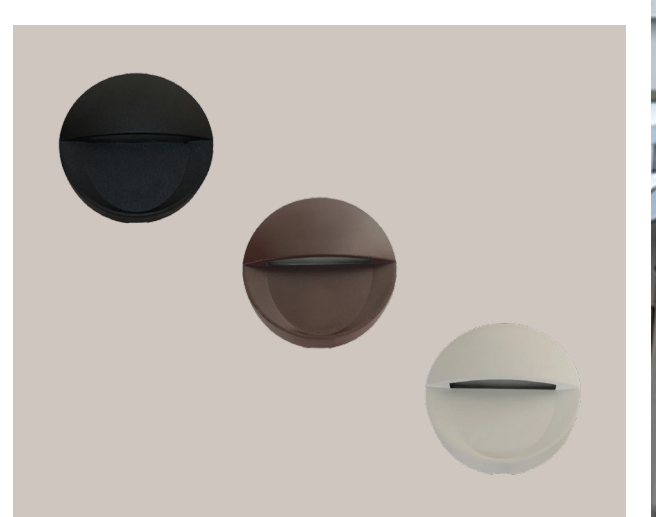


# TS-25WMA-SERIES

## DATA SPECIFICATION SHEET



CATEGORY: DECK

COLORS: ● ● ○

## PRODUCT OVERVIEW

### 2.5" LED Slim Puck Light – TS-25WMA Series

Our professional-grade TS-25WMA 2.5" LED Low Voltage Deck Post and Step Lights are easy to install. They are designed to mount to the surface of either a deck post or step riser under the 3/4" tread overhang. The TS-25WMA is a perfect addition to illuminate your posts, step risers and treads of your deck. (Available in black, brown, and white)



Check Out All Our Puck Lights!  
Scan to Visit Our Website!

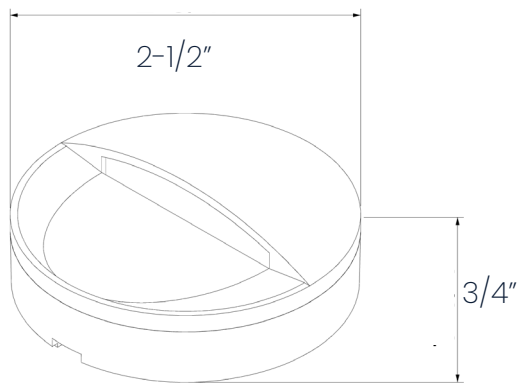
## SPECIFICATIONS

- Construction: Powder Coated Aluminum
- Finish: Black, Brown and White
- Light Source: Integrated LEDs
- Watts: 2W
- Beam Angle: 180°
- Lumens: 44LM
- Power Factor: 0.685
- Color Temp (CCT): 2700K
- Voltage Range: 9v – 15v AC/DC
- Dimensions: 2-1/2" x 2-1/2" x 3/4"
- IP65 Rated
- Lead Wire: 36" 18/2 Low Voltage direct burial wire
- Powered By: 12V Low Voltage Transformer (Sold Separately)

## FEATURES & BENEFITS

- Durable Construction: Made from powder-coated aluminum, ensuring resistance to the elements and longevity.
- Compact Design: Slim profile making it easy to install on deck posts or under step treads.
- Warm Lighting: Emits a cozy 2700K color temperature, perfect for outdoor ambiance.
- The slim design and soft lighting enhance the visual appeal of your outdoor space without being obtrusive.
- Energy Efficiency: Integrated LED with only 2 watts of power consumption.
- Easy Installation: Designed for simple surface mounting, making it a convenient addition to your outdoor lighting setup.

## PRODUCT DIMENSIONS



## WARRANTY

- Tru-Scapes Lighting Sockets have a Lifetime Warranty.
- Light fixtures of brass, copper or stainless steel, aluminum, including finishes are warranted for five (5) years.
- LED Bulbs are warranted for five (5) years or 30,000 hours, whichever comes first.
- Stainless Steel, Painted and Weatherproof (plastic housing) transformers, excluding timers and photo cells, are warranted for five (5) years for the original purchaser.
- Tru-Scapes warranties do not cover plants that die or burn because of continuous light shined on them. This is not a defect, but the inherent nature of such plants. Certain acid loving plants such as arborvitae, pine trees, and others must not be exposed to light of any kind for more than 18 hours a day as these plants need time to sleep and allow photosynthesis to naturally occur.
- Low voltage landscape lighting fixture housings made of brass do naturally patina in color which is not a defect. (Please see [www.Tru-Scapes.com](http://www.Tru-Scapes.com) for cleaning instructions.)
- See our full Warranty details at [www.Tru-Scapes.com/faq](http://www.Tru-Scapes.com/faq).

## CERTIFICATIONS



Indicates the product meets safety standards tested by Intertek.



Signifies the product has passed safety tests by Underwriters Laboratories.



Ensures the product is dust-tight and highly water-resistant.

## CONTACT US

© Copyright 2024,  
Tru-Scapes ® Registered Trademark •  
Bucks County, PA • All Rights Reserved •  
[contacts@tru-scapes.com](mailto:contacts@tru-scapes.com)  
1-800-878-1240

[WWW.TRU-SCAPES.COM](http://WWW.TRU-SCAPES.COM)